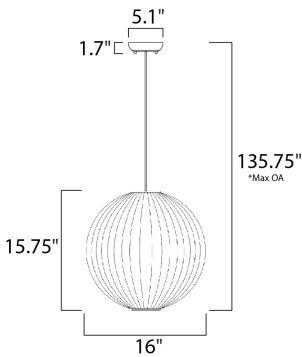




PRODUCT DESCRIPTION

Simple clear glass cylinders are secured by decorative thumb screws in this transitional collection of sconces and pendants both neutral in design and suitable for damp applications. Choose from Satin Nickel or a two-tone Black and Satin Brass finish to pair with popular interior finishes in hardware, plumbing and decor.



*max overall height

MEASUREMENTS

- DIMENSION : 39" W x 8.25" H x 5.5" Ext
- BACK PLATE : 4.75" W x 4.75" H x 2.25" HCO
- HANGING WEIGHT : 6.42 lb

LAMPING

- INPUT VOLTAGE : 120V
- BULB : 5 x 60W Incandescent E26 Medium , 300W Total
- BULB INCLUDED : (Not Included)

FINISHES OPTION

-  Black / Satin Brass
-  Satin Nickel

GLASS

Clear CL

MATERIAL

Steel, Glass

RATINGS

Damp Location



ADDITIONAL

INSTALL UP/DOWN: Up/Down
 OPERATING TEMPERATURE:
 -20°C (-4°F), 40°C (104°F)

Always consult a qualified electrician before installing any lighting product.



WESTERN DISTRIBUTION CENTER (HEADQUARTER)
 253 NORTH VINELAND AVE | CITY OF INDUSTRY, CA 91746

EASTERN DISTRIBUTION CENTER
 101 GARDNER PARK | PEACHTREE CITY, GA 30269

P. 626.956.4200 | F. 626.956.4225 | maximlighting.com